

VZ-19RTA

Economy Line CCTV Monitor



VZ-19RTA

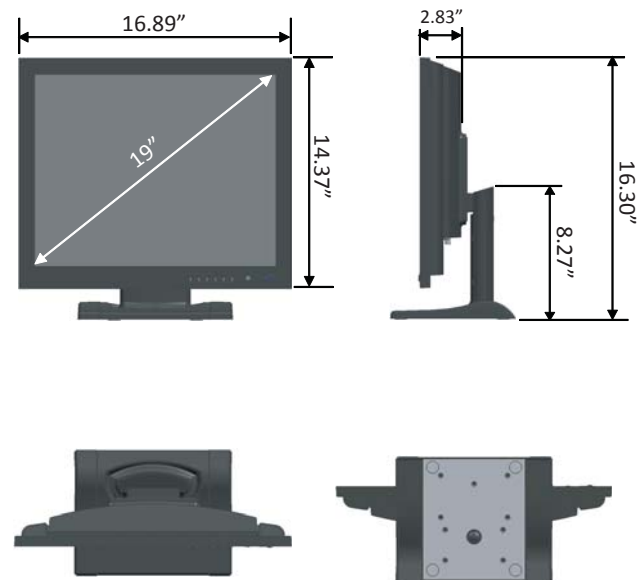


Display	Model Name (Screen Size)	VZ-19RTA (19")
	Max. Resolution	1280 x 1024 @60Hz
	Pixel Pitch	0.294mm x 0.294 mm
	Brightness	300cd/m ²
	Contrast Ratio	800:1
	Aspect Ratio	5 : 4
	Viewing Angle (H/V)	160°/160°
	Display Color	16.7 Million
	Response Time	< 5ms
	Video System	NTSC / PAL
	Frequency (H)	31 ~ 64 KHz
Frequency (V)	56 ~ 75 Hz	
Interface	Video In/ Out (BNC Type)	2 / 2
	S-Video In/ Out	Not Available
	RGB In (15Pin D-Sub)	1
	DVI In	Not Available
	Audio In (RCA Type)	Optional
	PC Stereo In	Optional
Audio	Built in Speakers	Optional
Transmitter	Remote Control	Optional
Special Features	Filter Type	2D Comb filter
	LCD Protection Glass	Not Available
	Rack Mountable Kit	Optional
	Multi Language	English, French, German Spanish
Dimension	Outline Dimension (W x H x D)	16.89" x 14.37" x 2.83" (429mm x 365mm x 72mm)
	Net Weight	1213lbs (5.5Kg)
Cabinet	Finish/Tilt Stand	Black / Yes
Mounts	VESA Mounts Size	100mm x 100 mm (BS M4 x 10 mm Screw)
Warranty	Parts/ Labor	2 Year / 2 Year
	MTBF (Approx.)	50,000 Hours
Regulations		UL , CB, FCC(A), CE-Emc(LVD)
Power	Consumption : < On	< 45W
	Electrical Ratings	AC100 ~ 240V(50/60Hz) DC 12V / 3.5A
Circumstance	Operating Temperature	32 - 104°F / 0 - 40°C

SPECIAL FEATURES

- Multiple Interfaces:
 - Video In/Out x 2 (BNC type loop through)
 - RGB Input (15pin D-sub)
- 2D Comb-filter w/ noise reduction
- Adjustable Stand (tilt)
- Optional wall/rack mountable

DEMENSION



For more product information, visit us on the web at OrionTech-USA.com

1220 N. Kraemer Blvd., Anaheim, CA 92806 | TEL: (714) 630-3380 | FAX: (714) 630-2335